

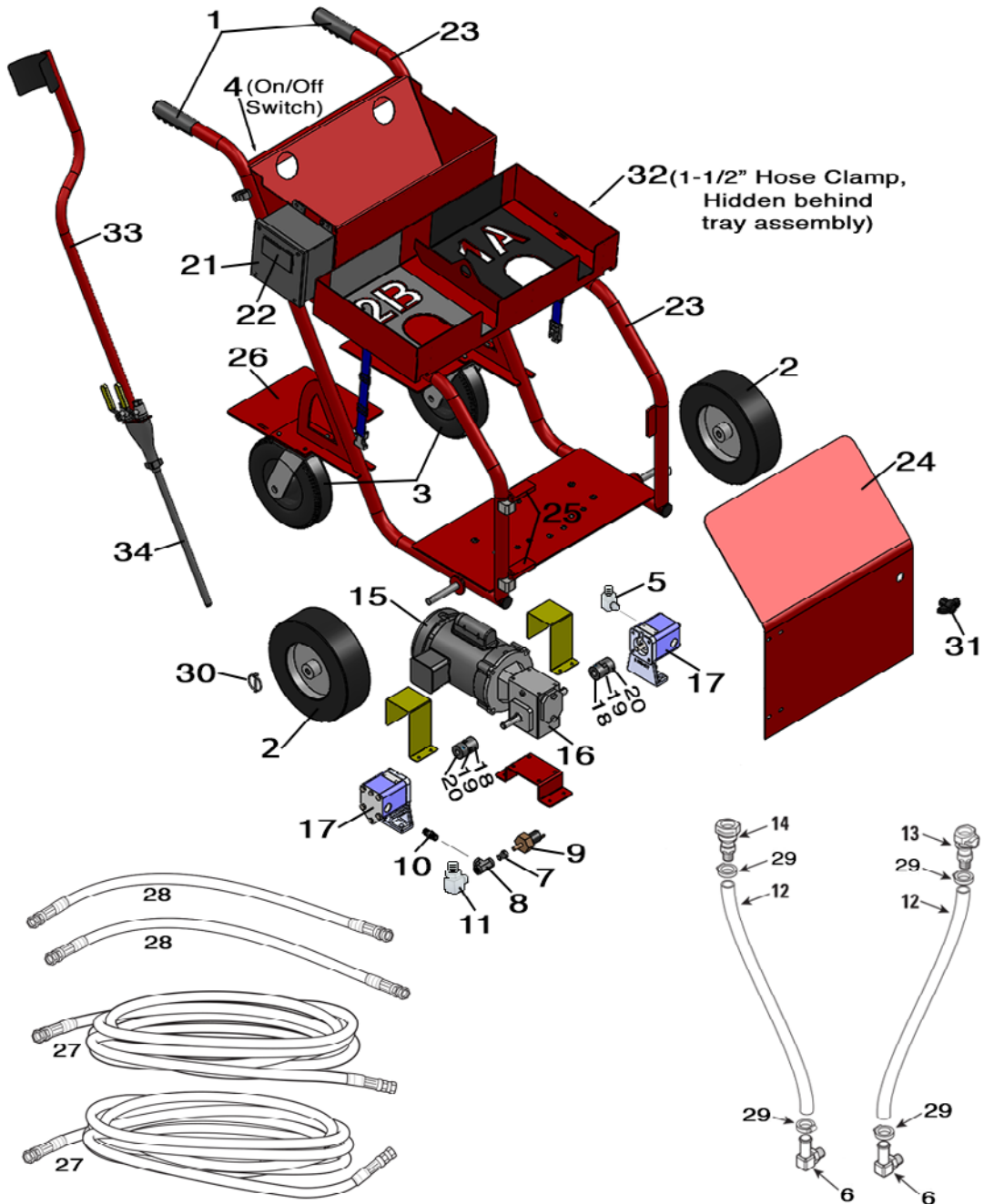


PaceCart 3TM

FOR OLYBOND 500[®]

PACECART 3 TOOL PARTS BREAKDOWN

All parts sold as each unless otherwise noted.
All part numbers listed on next page.
International customers: Please contact your local OMG representative for assistance.





PaceCart 3™

FOR OLYBOND 500®

PART NUMBERS *All Parts sold as each unless otherwise noted*

KEY	DESCRIPTION	PART #			
Frame, Motor, Gearbox, and Pump Assemblies					
1	1.25-in. Handle Grip		20	½" Coupling	OBPC3-COUPKIT
2	Foam Tire - Front	OBPC-FOAMTIRE	21	Junction Box Assembly	OBPC3-JBOX
3	Foam Caster - Rear	OBPC-CASTER	21A	Breaker Switch	OBPC2B-BREAKER
4	On/Off Switch (Ref)	OBPC2 ONOFF	21B	Breaker Reset Button	OBPC2B-RESET
5	90° ½" Male ORB x ½" Male NPT	OBPC3-FITKIT	22	Voltage Meter	OBPC3-VOLTMETER
6	90° 3/4" Hose Barb x ½" Male NPT (Quantity of 2 in kit)	OBPC3-FITKIT	23	Main Frame Pace Cart	
7	½" Male NPT x ¼" Female NPT Reducer	OBPC3-SWITCHKIT	24	Hood	
8	Tee ½" NPT x ½" NPT x ½" NPT	OBPC3-SWITCHKIT	25	Hinge	
9*	Pressure Switch	OBPC3-SWITCHKIT	26	Generator Shelf (Set of 2)	OBPC3-GENPLATE
10*	Check Valve ½" Male NPT x ½" Male NPT	OBPC3-SWITCHKIT	27	30' Hose w/ ½" JIC Female Ends	OB500HOSE-30
11	90° ½" Male ORB x ½" Male NPT	OBPC3-SWITCHKIT	28	36" Whip Hose ½" Male JIC x ½" Female JIC	OB18WHIP
12	Clear Gravity Hose	OB17GRAVHOSE	29	1" Hose Clamp	
13	Black Connetor Part 1 (Bag of 6)	OBCONKIT	30	Hitch Pin for Wheel	
14	Gray Connetor Part 2 (Bag of 6)	OBCONKIT-GRAY	31	Southco Knob	
15	Leeson Motor V13504 ½ HP	OBPC2-MOTOR	32	1½" Hose Clamp	
16	Gear Box	OBPC3-GEARBOX	33	Complete Gun Assembly	OBPC-VEEGUN
17	Pump	OBPC3-PUMP	34	Mix Tips (Bundle of 20)	OB500MIXTIP-20L
17A	Pump Seal Kit	OBPC3-SEALKIT	Miscellaneous Parts		
18	5/8" Coupling	OBPC3-COUPKIT	9	Pressure Switch	OBPSWITCH
19	Coupling Insert	OBPC3-COUPKIT	10	Check Valve 1/2" Male NPT x ½" Male NPT	OBPC2B-CHECKV

RP12287 Rev. 0816

For part numbers not listed or for older models, please call OMG Roofing Products Customer Service (800.633.3800) for assistance.



153 Bowles Road
 Agawam, MA 01001
 800.633.3800 - 413.789.0252
www.OMGRoofing.com

The OMG PaceCart 3™ dispensing cart and the Bag-in-Box OlyBond500® Part 1/Part 2 adhesive system, including the adhesive dispensing method, are covered by one or more of U.S. Patent Nos. 6,220,526; 8,113,385; 8,132,693; 8,167,170; 8,342,372; 8,474,658 and 9,327,308 and Canadian Patent No. 2,591,502. U.S. and Canadian Patents Pending. PaceCart 3™ and OlyBond500® are trademarks of OMG, Inc. Copyright © 2016. All rights reserved.