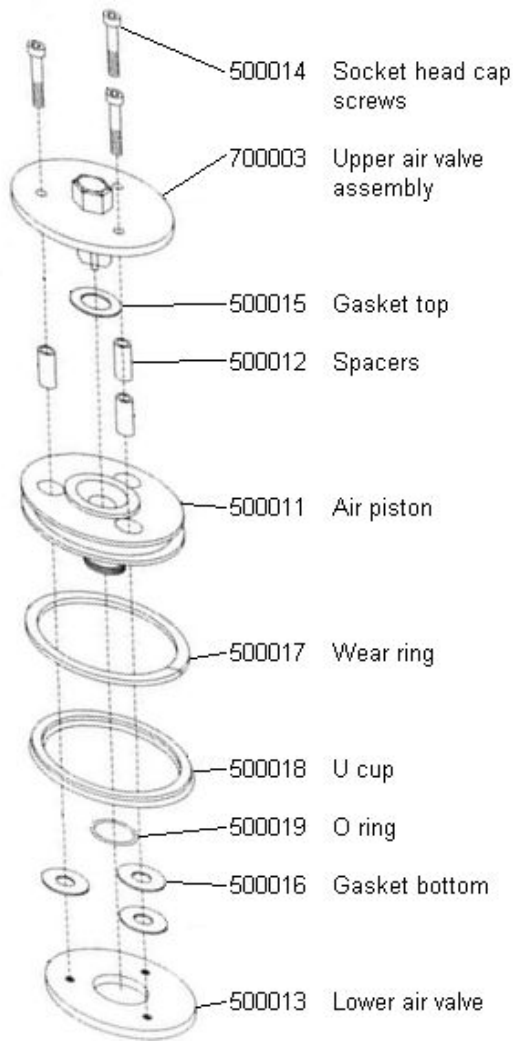


5.0 PARTS DIAGRAMS

5.1 Air motor assembly



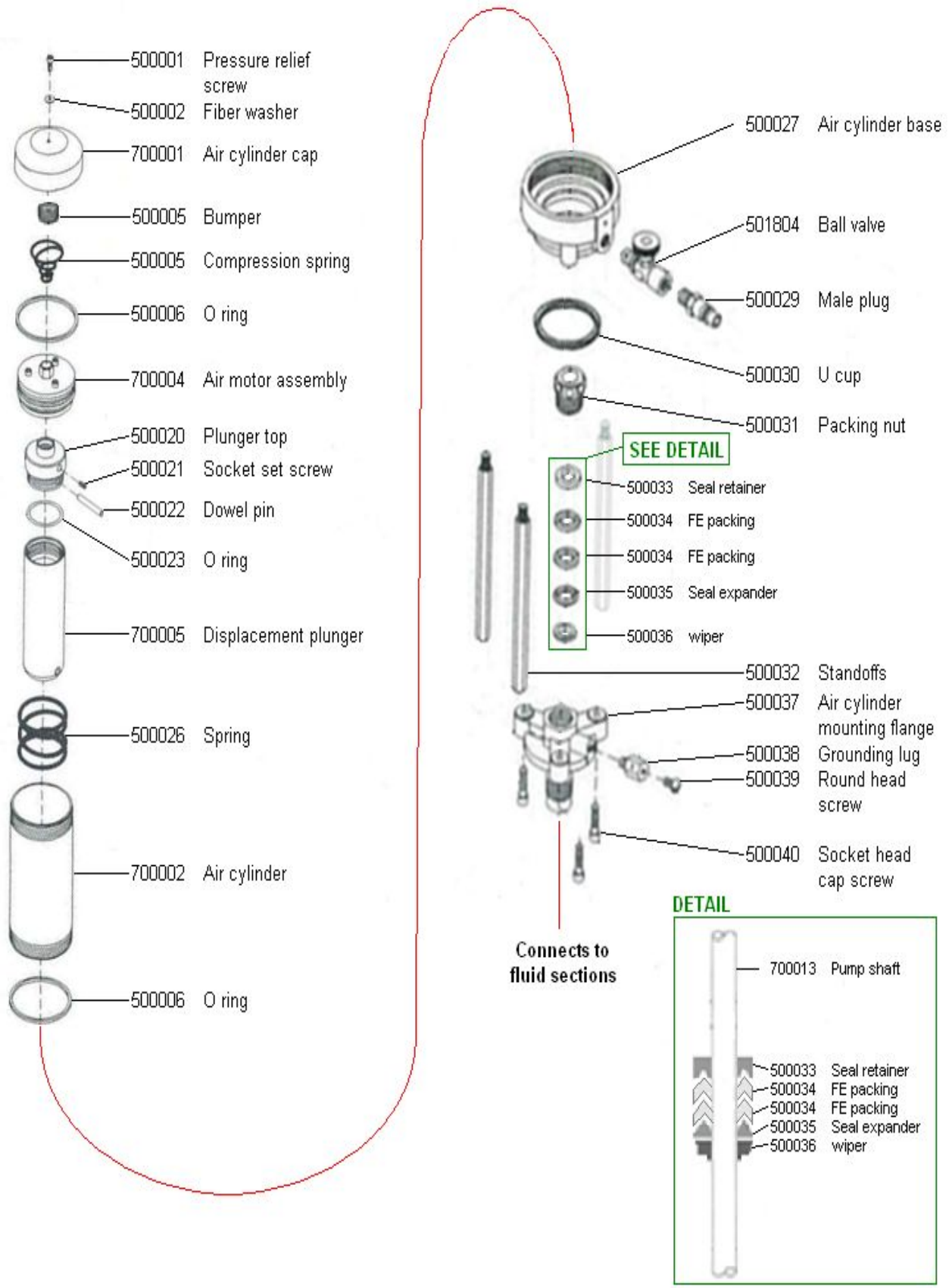
NOTE: When replacing Lower Air Valve (500013) and the Socket Head Cap Screws (500014), it is important that a Liquid Thread Sealing Compound be used to prevent the assembly from vibrating loose.

5.2 Air motor assembly illustration



Note: Upper hex nut is a permanent part of upper air valve plate (#700003). Do not use a wrench on hex nut during disassembly, assembly or maintenance of air motor assembly.

5.3 Parts drawing for air section Pump # 820301



5.4 Parts drawing for OP series fluid section Pump # 820301

