


Component B (Resin) Pumps

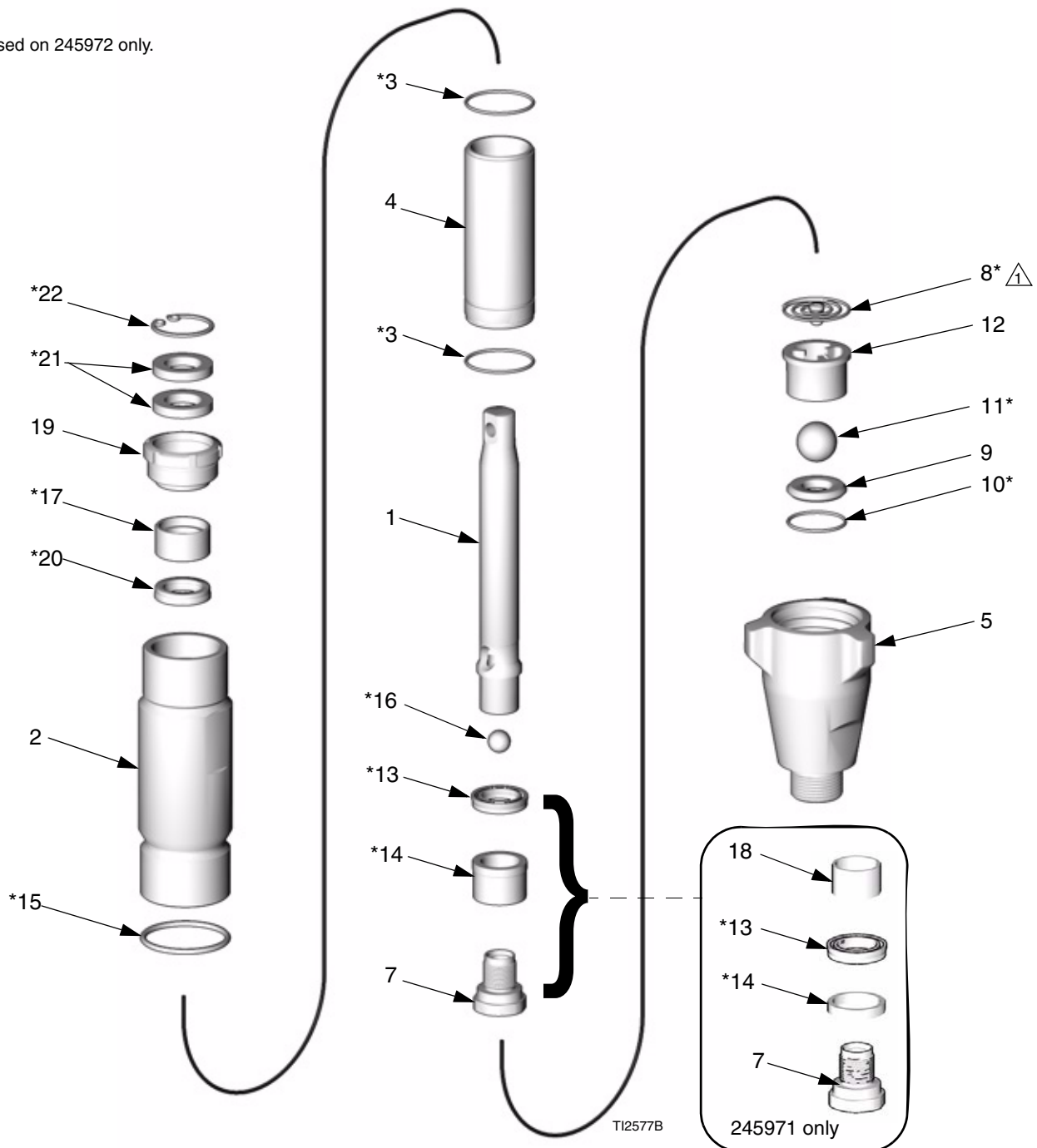
Part 245970, E-20 and E-XP1; includes items 1-7, 9-23

Part 245971, E-XP2; includes items 1-7, 9-22

Part 245972, E-30; includes items 1-22 (shown)

NOTE: These pumps were also used on Component A (ISO) side of Reactors built before May 2003.

 Used on 245972 only.



Part 245970, E-20 and E-XP1; includes items 1-7, 9-23**Part 245971, E-XP2; includes items 1-7, 9-22****Part 245972, E-30; includes items 1-22 (shown)**

Ref.	Part	Description	Qty.	Ref.	Part	Description	Qty.
1	240518	ROD, displacement; sst (245970)	1	15*	156593	O-RING; BUNA-N (245970)	1
	240517	ROD, displacement; sst (245971)	1		156633	O-RING; BUNA-N (245971)	1
	246689	ROD, displacement; sst (245972)	1		160325	O-RING; BUNA-N (245972)	1
2	243346	CYLINDER, pump (245970)	1	16*	105444	BALL, piston; sst; 0.3125 in. (8 mm) (245970)	1
	240520	CYLINDER, pump (245971)	1		101947	BALL, piston; sst; 0.375 in. (10 mm) (245971)	1
	245413	CYLINDER, pump (245972)	1		107203	BALL, piston; sst; 0.5625 in. (14 mm) (245972)	1
3*	108526	O-RING; PTFE (245970)	2	17*	15B075	BUSHING, rod (245970)	1
	107098	O-RING; PTFE (245971)	2		15B074	BUSHING, rod (245971)	1
	108822	O-RING; PTFE (245972)	2		15B076	BUSHING, rod (245972)	1
4	240521	SLEEVE, cylinder; sst (245970)	1	18	15J196	BUSHING, pump (245971 only)	1
	240525	SLEEVE, cylinder; sst (245971)	1	19†	193046	NUT, packing (245970)	1
	240921	SLEEVE, cylinder; sst (245972)	1		193032	NUT, packing (245971)	1
5	195892	HOUSING, valve, intake (245970)	1		189589	NUT, packing (245972)	1
	193030	HOUSING, valve, intake (245971)	1	20*	117447	SEAL, u-cup, throat; UHMWPE (245970)	1
	198219	HOUSING, valve, intake (245972)	1		117446	SEAL, u-cup, throat; UHMWPE (245971)	1
7	239932	VALVE, piston (245970)	1		117448	SEAL, u-cup, throat; UHMWPE (245972)	1
	240150	VALVE, piston (245971)	1	21*	117597	WASHER, felt (245970)	2
	240580	VALVE, piston (245972)	1		117599	WASHER, felt (245971)	2
8*‡	245256	SPRING, intake ball (245972 only)	1		117600	WASHER, felt (245972)	2
9	239922	SEAT, intake; carbide (245970); includes items 10 and 11	1	22*	551528	RING, retaining (245970)	1
	244199	SEAT, intake; carbide (245971); includes items 10 and 11	1		117718	RING, retaining (245971)	1
	240918	SEAT, intake; carbide (245972); includes items 10 and 11	1		117719	RING, retaining (245972)	1
10*	107079	O-RING; PTFE (245970)	1	23*	15B661	TOOL, installation, seal (245970 only); not shown; part of Repair Kit 246420	1
	108526	O-RING; PTFE (245971)	1				
	107098	O-RING; PTFE (245972)	1				
11*	105445	BALL, intake; sst; 0.5 in. (13 mm) (245970)	1				
	102972	BALL, intake; sst; 0.875 in. (22 mm) (245971)	1				
	107167	BALL, intake; sst; 1 in. (25 mm) (245972)	1				
12	192624	GUIDE, ball (245970)	1				
	193027	GUIDE, ball (245971)	1				
	193391	GUIDE, ball (245972)	1				
13*	117450	SEAL, u-cup, piston; UHMWPE (245970)	1				
	117449	SEAL, u-cup, piston; UHMWPE (245971)	1				
	117448	SEAL, u-cup, piston; UHMWPE (245972)	1				
14*	15B078	BUSHING, piston (245970)	1				
	15J197	BEARING, lower (245971)	1				
	15B079	BUSHING, piston (245972)	1				

* These parts are also included in the Pump Repair Kits, which may be purchased separately. Some parts in the kit may not be used in your pump. Order the correct kit for your pump from the table below.

Pump Part No.	Repair Kit
245970	246420
245971	246421
245972	246422

† Wet-Cup Conversion Kits may be purchased separately to convert pumps 245970, 245971, and 245972. See page 26 for further information.

‡ This part is also available in the Intake Spring Kit 249770, which may be purchased separately.