

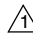
Parts

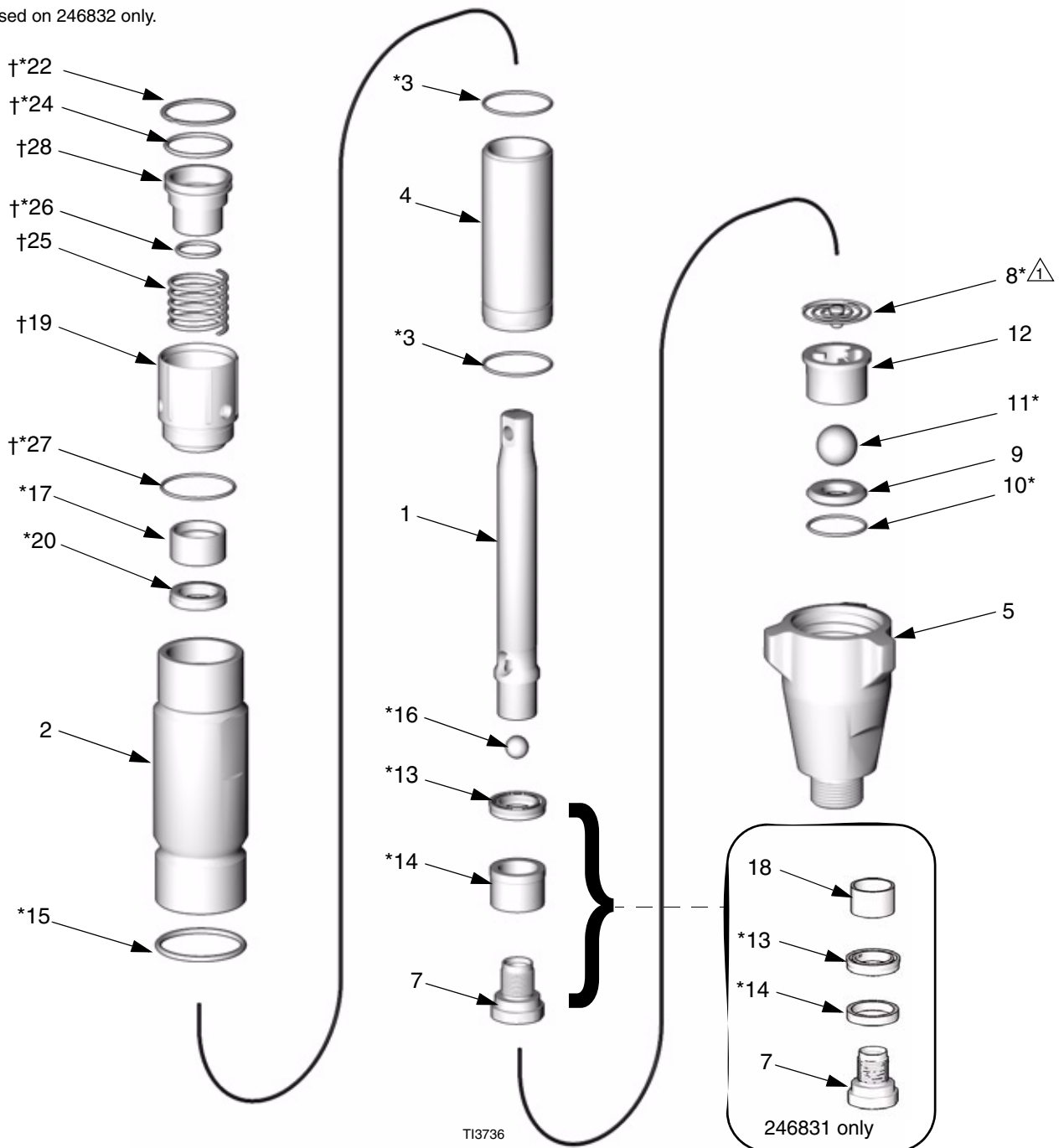
Component A (ISO) Pumps, with wet-cup flush feature

Part 246830, E-20 and E-XP1; includes items 1-7, 9-28

Part 246831, E-XP2; includes items 1-7, 9-22, 24-28

Part 246832, E-30; includes items 1-17, 19-22, 24-28 (shown)

 Used on 246832 only.



Part 246830, E-20 and E-XP1; includes items 1-7, 9-28
Part 246831, E-XP2; includes items 1-7, 9-22, 24-28
Part 246832, E-30; includes items 1-22, 24-28 (shown)

Ref.	Part	Description	Qty.	Ref.	Part	Description	Qty.
1	240518	ROD, displacement; sst (246830)	1	16*	105444	BALL, piston; sst; 0.3125 in. (8 mm) (246830)	1
	240517	ROD, displacement; sst (246831)	1		101947	BALL, piston; sst; 0.375 in. (10 mm) (246831)	1
	246689	ROD, displacement; sst (246832)	1		107203	BALL, piston; sst; 0.5625 in. (14 mm) (246832)	1
2	243346	CYLINDER, pump (246830)	1	17*	15B075	BUSHING, rod (246830)	1
	240520	CYLINDER, pump (246831)	1		15B074	BUSHING, rod (246831)	1
	245413	CYLINDER, pump (246832)	1		15B076	BUSHING, rod (246832)	1
3*	108526	O-RING; PTFE (246830)	2	18	15J196	BUSHING, pump (246831 only)	1
	107098	O-RING; PTFE (246831)	2	19†	15C569	NUT, packing (246830)	1
	108822	O-RING; PTFE (246832)	2		15C571	NUT, packing (246831)	1
4	240521	SLEEVE, cylinder; sst (246830)	1		15C573	NUT, packing (246832)	1
	240525	SLEEVE, cylinder; sst (246831)	1	20*	117447	SEAL, u-cup, throat; UHMWPE (246830)	1
	240921	SLEEVE, cylinder; sst (246832)	1		117446	SEAL, u-cup, throat; UHMWPE (246831)	1
5	195892	HOUSING, valve, intake (246830)	1		117448	SEAL, u-cup, throat; UHMWPE (246832)	1
	193030	HOUSING, valve, intake (246831)	1	22*†	118377	RING, retaining (246830)	1
	198219	HOUSING, valve, intake (246832)	1		118378	RING, retaining (246831)	1
7	239932	VALVE, piston (246830)	1		118379	RING, retaining (246832)	1
	240150	VALVE, piston (246831)	1	23*	15B661	TOOL, installation, seal (246830 only); not shown; part of Repair Kit 246420	1
	240580	VALVE, piston (246832)	1	24*†	118381	O-RING; fluoroelastomer (246830)	1
8*†	245256	SPRING, intake ball (246832 only)	1		107563	O-RING; fluoroelastomer (246831)	1
9	239922	SEAT, intake; carbide (246830); includes items 10 and 11	1		118403	O-RING; fluoroelastomer (246832)	1
	244199	SEAT, intake; carbide (246831); includes items 10 and 11	1	25†	118374	SPRING (246830)	1
	240918	SEAT, intake; carbide (246832); includes items 10 and 11	1		118375	SPRING (246831)	1
10*	107079	O-RING; PTFE (246830)	1		118376	SPRING (246832)	1
	108526	O-RING; PTFE (246831)	1	26*†	118380	O-RING; fluoroelastomer (246830)	1
	107098	O-RING; PTFE (246832)	1		110955	O-RING; fluoroelastomer (246831)	1
11*	105445	BALL, intake; sst; 0.5 in. (13 mm) (246830)	1		C20111	O-RING; fluoroelastomer (246832)	1
	102972	BALL, intake; sst; 0.875 in. (22 mm) (246831)	1	27*†	107563	O-RING; fluoroelastomer (246830)	1
	107167	BALL, intake; sst; 1 in. (25 mm) (246832)	1		103414	O-RING; fluoroelastomer (246831)	1
12	192624	GUIDE, ball (246830)	1		111178	O-RING; fluoroelastomer (246832)	1
	193027	GUIDE, ball (246831)	1	28†	15C570	PISTON, wet-cup, ISO (246830)	1
	193391	GUIDE, ball (246832)	1		15C572	PISTON, wet-cup, ISO (246831)	1
13*	117450	SEAL, u-cup, piston; UHMWPE (246830)	1		15C574	PISTON, wet-cup, ISO (246832)	1
	117449	SEAL, u-cup, piston; UHMWPE (246831)	1				
	117448	SEAL, u-cup, piston; UHMWPE (246832)	1				
14*	15B078	BUSHING, piston (246830)	1				
	15J197	BEARING, lower(246831)	1				
	15B079	BUSHING, piston (246832)	1				
15*	156593	O-RING; BUNA-N (246830)	1				
	156633	O-RING; BUNA-N (246831)	1				
	160325	O-RING; BUNA-N (246832)	1				

* These parts are included in the Pump Repair Kits, which may be purchased separately. Some parts in the kit may not be used in your pump.

† These parts are included in the Wet-Cup Kits. Order the correct kit for your pump from the table below. See page 26 for information on 246928 Reservoir Kit.

Pump Part No.	Pump Repair Kit	Wet-Cup Kit
246830	246420	246962
246831	15C851	246963
246832	15C852	246964

‡ This part is also available in the Intake Spring Kit 249770, which may be purchased separately.